

CRIUS[®]

**Water Quality Analyser
Water Quality Monitor
Water Quality Controller
Water Quality Instrument**



Superior Communications

Part of a range of controllers, the CRIUS[®] is the big brother of the CRONOS[®] and offers more sensor connections, more functionality and more flexibility with a colour screen and optional built in 3G modem. The CRIUS[®] is an attractively priced, top of the range instrument controller. Optional comms packages allow Profibus, Modbus ASCII, Modbus RTU, Modbus TCP and others.

More Sensors. More Control

CRIUS[®] is equipped with the capability to connect up to 4 sensors of any type with optional analogue outputs and relays. 4 sensors not enough? Simply connect up to 4 CRIUS[®] together all using the same display and communications. Equipped with datalogging as standard and multiple PID loops as options, CRIUS[®] is very able to control complex water treatment processes at a fraction of the cost of other controllers.

Easier To Use

With simple 'plug & play' inputs and outputs, intuitive display and button control, and with an individual manual configured to be the same as your analyser, the CRIUS[®] makes setup and ongoing use simple and easy.

Better Security

With all users having their own log on, and with three levels of instrument and remote access security, you can use CRIUS[®] with all of its superior functionality with confidence.

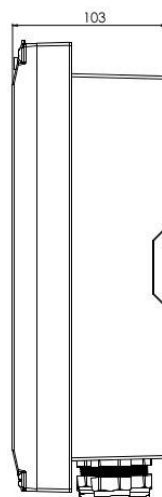
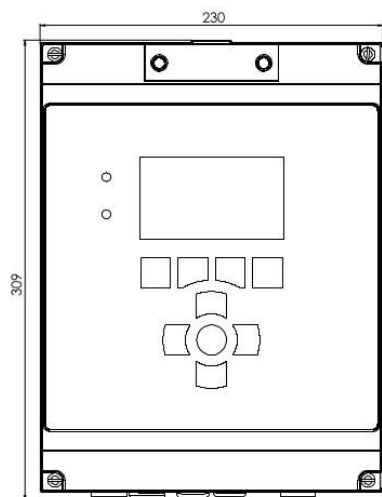
CRIUS[®] + Sensors = Product Name

Free Chlorine Analyser	<i>HaloSense</i>
Total Chlorine Monitor	<i>HaloSense</i>
Chlorine Dioxide Analyser	<i>DioSense</i>
Ozone Monitor	<i>OzoSense</i>
Dissolved Oxygen Meter	<i>OxySense</i>
Suspended Solids Monitor	<i>SoliSense</i>
Streaming Current Monitor	<i>StreamerSense</i>
pH Analyser	<i>pHSense</i>
ORP Analyser	<i>ORPSense</i>
Organics Monitor	<i>UV254Sense</i>
Biofilm Monitor	<i>BioSense</i>
Online Conductivity Monitor	<i>ConductiSense</i>
Particle Counter	<i>CounterSense</i>
Filter Monitor (Particle Counter)	<i>FilterSense</i>
Coagulation Controller	<i>CoagSense</i>
Turbidity Meter	<i>TurbSense</i>

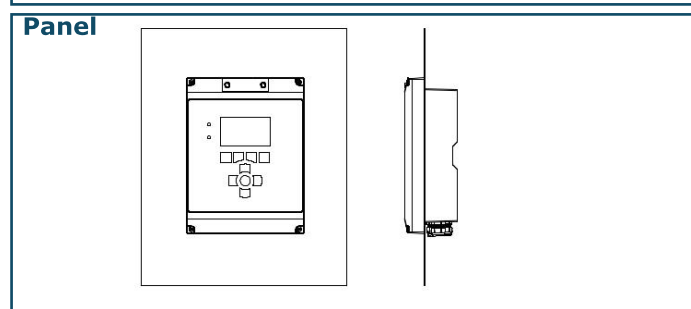
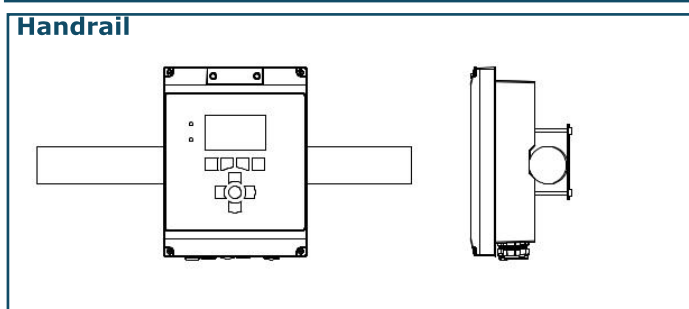
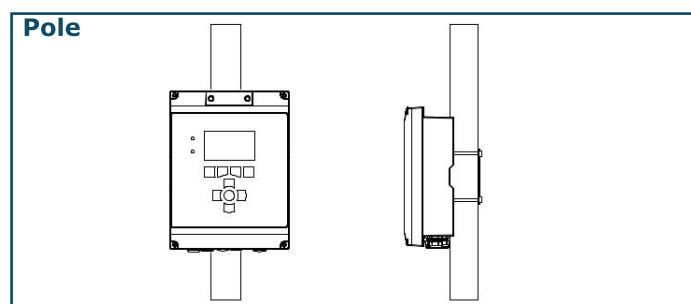
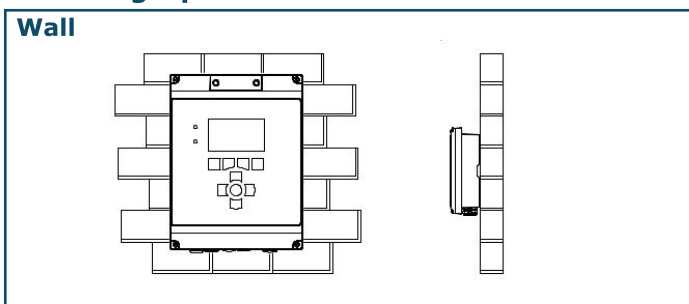
Each 'Sense' analyser has its own brochure, detailing applications and common accessories. Please click on the product name above if you are online. If not, please visit the [website](http://www.processinstruments.net) to access all Pi's product brochures.

	CRONOS [®]	CRIUS [®]
Highest quality sensors	•	•
Multilingual	•	•
System logger	•	•
On display trending	•	•
Event logger	•	•
Download logs	Optional	•
PID controls	Optional	Optional
Up to 2 sensors	•	•
Up to 4 sensors		•
Expandable up to 16 sensors		Optional
Analogue outputs V and mA	•	•
Isolated universal inputs & outputs	•	•
Large high resolution display	•	•
Colour display	Optional	•
Up to 8 relays	•	•
Expandable up to 32 relays		Optional
Up to 8 digital inputs	•	•
Expandable up to 32 digital inputs		Optional
Remote internet access		Optional
GSM/GPRS/3G integrated modem		Optional
Remote Access LAN		Optional
Profibus	Optional	Optional
Modbus ASCII/RTU serial	Optional	Optional
Modbus TCP (LAN enabled)	Optional	Optional
AC/DC (110-240VAC, 12VDC)	•	•
Wall and Panel mountable	•	•
Pole and handrail mountable	•	•
IP65/Nema 4X enclosure	•	•
Fire retardant ABS Enclosure	•	•

Dimensions



Mounting Options



Specification*

CRIUS®

Power Requirements	100 - 240 VAC/0.25 A or 12 VDC/0.8 A
Languages	Any non pictogram by request Any Latin, Cyrillic, Hellenic
Inputs	Up to 4 configurable sensor inputs; 4-20mA, 4-20mA loop-powered, 0-2 VDC, +/- 1200 mV for pH, ORP, or ISEs, PT100, pulse and Modbus. Expandable to 16 inputs. Unused inputs can be used as outputs. Up to 8 digital inputs, expandable to 32
Outputs	Up to 4 configurable analogue outputs; 0-20mA, 4-20mA, 0-1 VDC, 0-10 VDC, 1-10 VDC. Up to 8 SPST electromechanical relays rated 10A at 175 VAC, 3A at 750 VAC, 5A at 30 VDC.
Alarms	2 user configurable alarms with deadband and delay for each parameter and control output
Thresholds	2 user configurable thresholds (for control) with deadband and delay for each measurement and control output
PID	Configurable flow proportional PID - multiple loops
Communication (Optional)	Modbus ASCII/RTU (RS485) Profibus DP Modbus TCP (Ethernet) 2G/3G Modem
Memory Backup	All user configuration is stored in non-volatile on-board flash memory
Enclosure	ABS flame retardant IP65N, Nema 4X
Dimensions (mm)	230 x 309 x 103
Display	4.3", 480x272, 24 bit, colour
Weight	2 kg
Warranty	12 months from date of purchase (longer warranty optional)
Data Logging	Internal - Single parameter, downloadable data logs or status message logs over 1 million records

**All subject to change without notice*